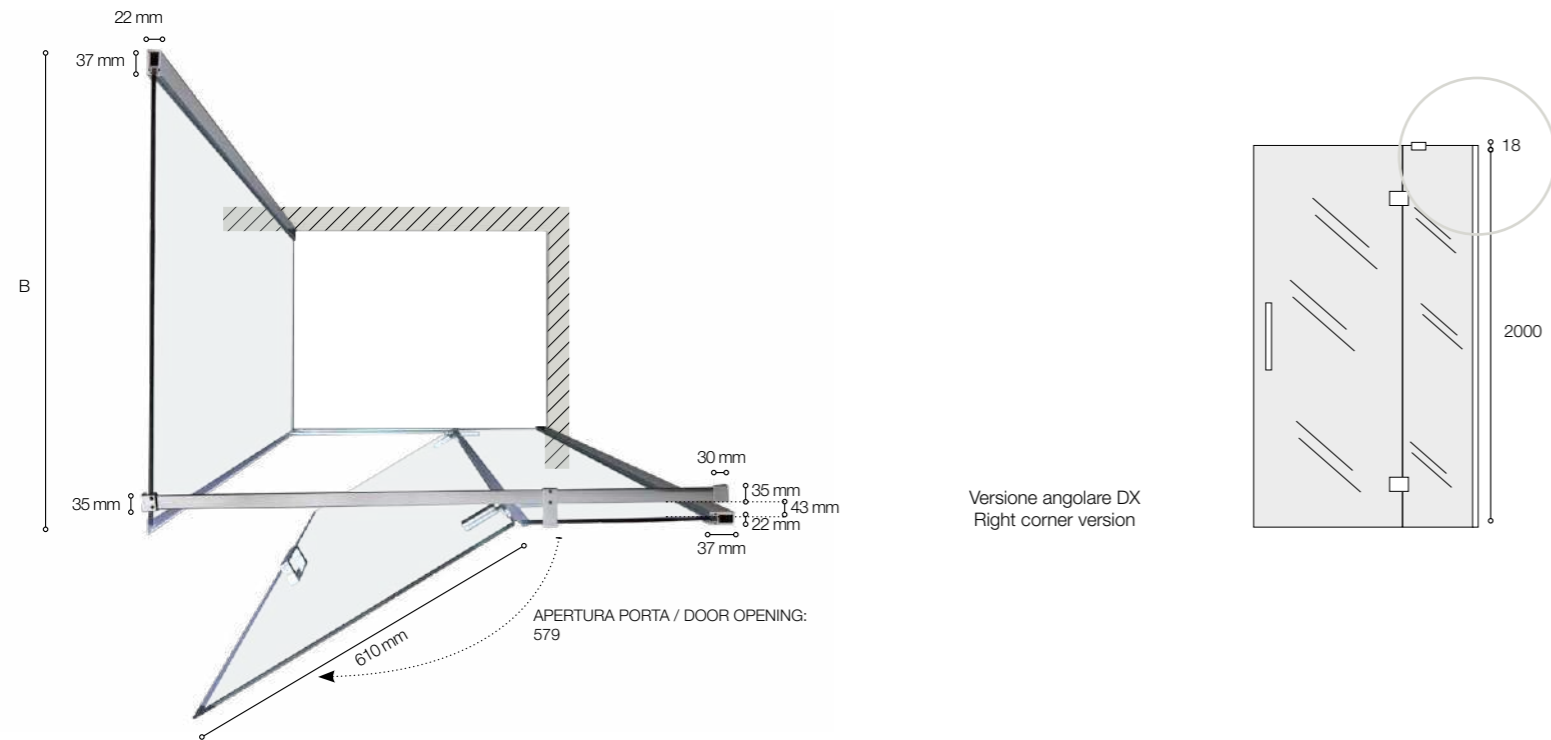


8MILL Infinity

Porta battente_Hinge door H 2018 mm

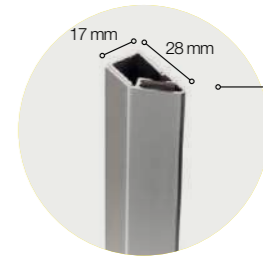
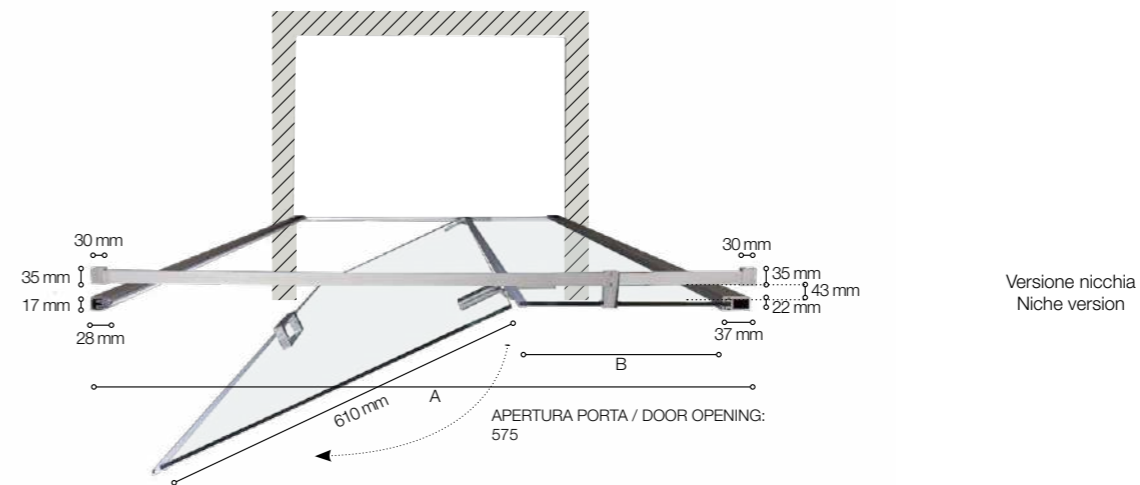


PORTA ABBINATA A LATO FISSO
DOOR MATCHED WITH FIXED PANEL

Specifiche tecniche / Technical specifications					
P/D mm	H/H mm	Peso vetro kg / Glass weight kgs	Apertura porta / Door opening	Ingombro porta / Clumbed door	Estensibilità mm / Extension mm
800	2018	28	579	610	762 - 782
900	2018	33	579	610	862 - 882
1000	2018	37	579	610	962 - 982
1100	2018	41	579	610	1062 - 1082
1200	2018	45	579	610	1162 - 1182
1300	2018	49	579	610	1262 - 1282
1400	2018	53	579	610	1362 - 1382
1500	2018	59	579	610	1462 - 1482
1600	2018	62	579	610	1562 - 1582
1700	2018	65	579	610	1662 - 1682
1800	2018	70	579	610	1762 - 1782

DIMENSIONI LATO FISSO (B)
FIXED SIDE PANEL SIZE (B)

Specifiche tecniche / Technical specifications			
P/D mm	H/H mm	Peso vetro kg / Glass weight kgs	Estensibilità mm / Extension mm
700	2018	29	670 - 690
800	2018	34	770 - 790
900	2018	38	870 - 890
1000	2018	42	970 - 990



NTPC03

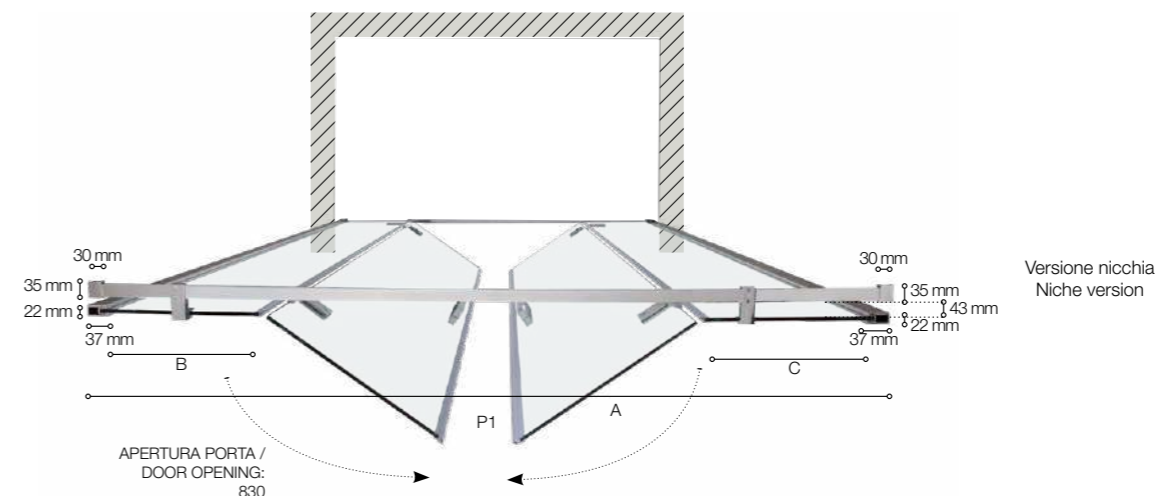
Profilo chiusura / Closing profile

Per / For Art. TEPB43 - TPS35 - TPB72 - SWING - INFINITY

Versione nicchia / Niche version

DIMENSIONI PORTA (A) (NICCHIA)
DOOR SIZES (A) (NICHE)

Specifiche tecniche / Technical specifications						
P/D mm	H/H mm	Peso vetro kg / Glass weight kgs	Apertura porta / Door opening	Ingombro porta / Clumbed door	Estensibilità mm / Extension mm	B mm
800	2018	29	575	610	775 - 795	146
900	2018	34	575	610	875 - 895	246
1000	2018	38	575	610	975 - 995	346
1100	2018	42	575	610	1075 - 1095	446
1200	2018	46	575	610	1175 - 1195	546
1300	2018	50	575	610	1275 - 1295	646
1400	2018	54	575	610	1375 - 1395	746
1500	2018	60	575	610	1475 - 1495	846
1600	2018	63	575	610	1575 - 1595	946
1700	2018	66	575	610	1675 - 1695	1046
1800	2018	71	575	610	1775 - 1795	1146



DIMENSIONI PORTA (A) (NICCHIA DOPPIA ANTA)
DOOR SIZES (A) (NICHE WITH TWO DOORS)

Specifiche tecniche / Technical specifications							
L/W mm	H/H mm	Peso vetro kg / Glass weight kgs	Apertura porta / Door opening	Ingombro porta / Clumbed door	Estensibilità mm / Extension mm	A mm	B mm
1200	2018	72	830	440	1168 - 1208	146	146
1300	2018	77	830	440	1268 - 1308	146	246
1400	2018	82	830	440	1368 - 1408	246	246
1500	2018	94	830	440	1468 - 1508	246	346
1600	2018	106	830	440	1568 - 1608	346	346
1700	2018	110	830	440	1668 - 1708	346	446
1800	2018	114	830	440	1768 - 1808	446	446
1900	2018	118	830	440	1868 - 1908	446	546
2000	2018	122	830	440	1968 - 2008	546	546